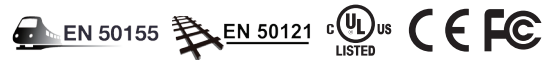


# AWK-5232 Series

## Industrial IEEE 802.11a/b/g/n dual-RF wireless AP/bridge/client



- > IEEE 802.11a/b/g/n compliant
- > Dual-RF design: 2.4 GHz and/or 5 GHz RF bands
- > Redundant power inputs and PoE+
- > Compliant with essential sections of EN 50155
- > -40 to 75°C operating temperature range (T models)



### Introduction

The AWK-5232 Industrial a/b/g/n Wireless AP/Bridge/Client is an ideal wireless solution for hard-to-wire situations and all mobile equipment which is connected over a TCP/IP network. It can provide a faster connection and wider range than 802.11g models, especially a noticeably stronger connection at distance. With two independent RF modules, the AWK-5232 supports a great variety of wireless configurations and applications, and the redundant wireless connections increase the reliability of the entire wireless network. The AWK-5232 is compliant with the essential sections of EN 50155, covering operating temperature, power input voltage, surge, ESD and vibration. The AWK-5232's two DC power inputs increases the power supply reliability, and it can also be powered via PoE+ for easier deployment.

### Higher Data Rate and Greater Bandwidth

- High-speed wireless connectivity with up to 300 Mbps data rate
- MIMO technology improves data throughput via multiplexed, smart antenna transmissions and receptions
- Channel bonding technology for increased throughput or channel redundancy

### Redundancy to Increase System Reliability

- Dual DC power inputs and PoE+
- Immunity against disconnection caused by radio interference

### Specifications for Industrial-grade Applications

- 64-bit and 128-bit WEP (Wired Equivalent Privacy)
- Enable/disable SSID broadcasts
- Power filters for access control
- IEEE/802.11X/RADIUS supported
- WPA/WPA2/802.11i supported

### Specifications

#### WLAN Interface

##### Standards:

- IEEE 802.11a/b/g/n for Wireless LAN
- IEEE 802.11i for Wireless Security
- IEEE 802.3 for 10BaseT
- IEEE 802.3u for 100BaseTX
- IEEE 802.3ab for 1000BaseT
- IEEE 802.3at for Power-over-Ethernet Plus
- IEEE 802.1D for Spanning Tree Protocol
- IEEE 802.1w for Rapid STP
- IEEE 802.1Q for VLAN

##### Spread Spectrum and Modulation (typical):

- DSSS with DBPSK, DQPSK, CCK
- OFDM with BPSK, QPSK, 16QAM, 64QAM
- 802.11b: CCK @ 11/5.5 Mbps, DQPSK @ 2 Mbps, DBPSK @ 11 Mbps
- 802.11a/g: 64QAM @ 54/48 Mbps, 16QAM @ 36/24 Mbps, QPSK @ 18/12 Mbps, BPSK @ 9/6 Mbps
- 802.11n: 64QAM @ 300 Mbps to BPSK @ 6.5 Mbps (multiple rates supported)

##### Operating Channels (central frequency):

- US: 2.412 to 2.462 GHz (11 channels)  
5.18 to 5.24 GHz (4 channels)
- EU: 2.412 to 2.472 GHz (13 channels)  
5.18 to 5.24 GHz (4 channels)
- JP:

- 2.412 to 2.472 GHz (13 channels, OFDM)
- 2.412 to 2.484 GHz (14 channels, DSSS)
- 5.18 to 5.24 GHz (4 channels for W52)

##### Security:

- SSID broadcast enable/disable
- Firewall for MAC/IP/Protocol/Port-based filtering
- 64-bit and 128-bit WEP encryption, WPA /WPA2-Personal and Enterprise (IEEE 802.1X/RADIUS, TKIP and AES)

##### Transmission Rates:

- 802.11b: 1, 2, 5.5, 11 Mbps
- 802.11a/g: 6, 9, 12, 18, 24, 36, 48, 54 Mbps
- 802.11n: 6.5 to 300 Mbps (multiple rates supported)

##### TX Transmit Power:

- 802.11b: 1 to 11 Mbps: Typ. 18 dBm (± 1.5 dBm)
- 802.11g: 6 to 24 Mbps: Typ. 18 dBm (± 1.5 dBm)  
36 to 48 Mbps: Typ. 17 dBm (± 1.5 dBm)  
54 Mbps: Typ. 15 dBm (± 1.5 dBm)
- 802.11a: 6 to 24 Mbps: Typ. 17 dBm (± 1.5 dBm)  
36 to 48 Mbps: Typ. 16 dBm (± 1.5 dBm)  
54 Mbps: Typ. 14 dBm (± 1.5 dBm)

##### TX Transmit Power MIMO:

- 802.11a/n (20/40 MHz): MCS15 20 MHz: Typ. 13 dBm (± 1.5 dBm)  
MCS15 40 MHz: Typ. 12 dBm (± 1.5 dBm)

802.11g/n (20 MHz):

MCS15 20 MHz: Typ. 14 dBm (± 1.5 dBm)

**RX Sensitivity:**

802.11b:

-92 dBm @ 1 Mbps, -90 dBm @ 2 Mbps, -88 dBm @ 5.5 Mbps, -84 dBm @ 11 Mbps

802.11g:

-87 dBm @ 6 Mbps, -86 dBm @ 9 Mbps, -85 dBm @ 12 Mbps, -82 dBm @ 18 Mbps, -80 dBm @ 24 Mbps, -76 dBm @ 36 Mbps, -72 dBm @ 48 Mbps, -70 dBm @ 54 Mbps

802.11a:

-87 dBm @ 6 Mbps, -86 dBm @ 9 Mbps, -85 dBm @ 12 Mbps, -82 dBm @ 18 Mbps, -80 dBm @ 24 Mbps, -76 dBm @ 36 Mbps, -72 dBm @ 48 Mbps, -70 dBm @ 54 Mbps

**RX Sensitivity MIMO:**

802.11a/n:

-68 dBm @ MCS15 40 MHz, -69 dBm @ MCS15 20 MHz, -70 dBm @ MCS7 40 MHz, -71 dBm @ MCS7 20 MHz

802.11g/n:

-69 dBm @ MCS15 20 MHz, -71 dBm @ MCS7 20 MHz

**Protocol Support**

**General Protocols:** Proxy ARP, DNS, HTTP, HTTPS, IP, ICMP, SNMP, TCP, UDP, RADIUS, SNMP, PPPoE, DHCP

**AP-only Protocols:** ARP, BOOTP, DHCP, STP/RSTP (IEEE 802.1D/w)

**Interface**

**Default Antennas\*:** 4 dual-band omni-directional antennas, 2 dBi, RP-SMA (male)

\*Only available with the AWK-5232 model.

**Connector for External Antennas:**

AWK-5232: RP-SMA (female)

AWK-5232-M12: QMA (female)

**RJ45 Ports:** 2, 10/100/1000BaseT(X), auto negotiation speed, F/H duplex mode, and auto MDI/MDI-X connection (AWK-5232 only)

**M12 Ports:** 2, 10/100/1000BaseT(X) auto negotiation speed, F/H duplex mode, and auto MDI/MDI-X connection (AWK-5232-M12 only)

**Console Port:** RS-232 (RJ45-type)

**LED Indicators:** PWR1, PWR2, PoE+, FAULT, STATE, WLAN1, WLAN2, 100M, 1000M (TP Ports), LAN1, LAN2 (M12 Ports)

**Alarm Contact (Digital Output):** 1 relay output with current carrying capacity of 1 A @ 24 VDC

**Digital Inputs:** 2 electrically isolated inputs

• +13 to +30 V for state "1"

• +3 to -30 V for state "0"

• Max. input current: 8 mA

**Physical Characteristics**

**Housing:** Metal, IP30 protection

**Weight:** 1.2 Kg

**Dimensions:** 74.55 x 135 x 105 mm (2.94 x 5.31 x 4.13 in)

**Installation:** DIN-Rail mounting (standard), wall mounting (optional)

**Environmental Limits**

**Operating Temperature:**

Standard Models: -25 to 60°C (-13 to 140°F)

Wide Temp. Models: -40 to 75°C (-40 to 167°F)

**Storage Temperature:** -40 to 85°C (-40 to 185°F)

**Ambient Relative Humidity:** 5% to 95% (non-condensing)

**Power Requirements**

**Input Voltage:** 12 to 48 VDC, redundant dual DC power inputs or 48 VDC Power-over-Ethernet Plus (IEEE 802.3at compliant)

\*Compliant with EN 50155 on 24 VDC

**Connector:** 10-pin removable terminal block

**Power Consumption:** 12 to 48 VDC, 1.5 A (max.)

**Reverse Polarity Protection:** Present

**Standards and Certifications**

**Safety:** UL 60950-1, EN 60950-1

**EMC:** EN 301 489-1/17, FCC Part 15 Subpart B, EN 55022/55024, IEC 61000-6-2/4

**Radio:** EN 300 328, EN 301 893

**Rail Traffic:** EN 50155, EN 50121-1/4

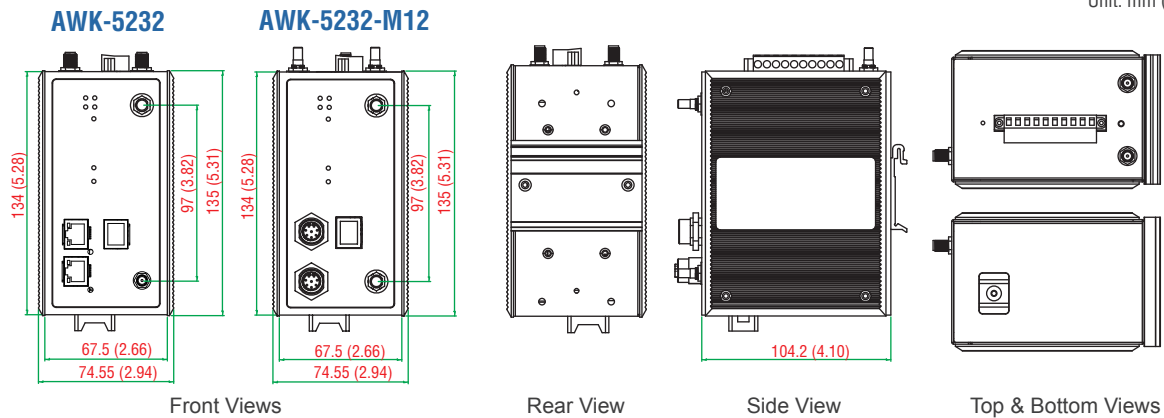
Note: Please check Moxa's website for the most up-to-date certification status.

**Warranty**

**Warranty Period:** 5 years

**Details:** See www.moxa.com/warranty

**Dimensions**



**Ordering Information**

Model Name	Available Models		Port Interface		Antenna Interface	
	Standard Temperature (-25 to 60°C)	Wide Temperature (-40 to 75°C)	2, 10/100BaseT(X)		RP-SMA	QMA
			RJ45	M12		
<b>AWK-5232</b>						
AWK-5232-US	✓	-	✓	-	✓	-
AWK-5232-EU	✓	-	✓	-	✓	-
AWK-5232-JP	✓	-	✓	-	✓	-
AWK-5232-US-T	-	✓	-	-	✓	-
AWK-5232-EU-T	-	✓	✓	-	✓	-
AWK-5232-JP-T	-	✓	✓	-	✓	-
<b>AWK-5232-M12</b>						
AWK-5232-M12-US	✓	-	-	✓	-	✓
AWK-5232-M12-EU	✓	-	-	✓	-	✓
AWK-5232-M12-JP	✓	-	-	✓	-	✓
AWK-5232-M12-US-T	-	✓	-	✓	-	✓
AWK-5232-M12-EU-T	-	✓	-	✓	-	✓
AWK-5232-M12-JP-T	-	✓	-	✓	-	✓

**Package Checklist**

- AWK-5232 wireless AP/bridge/client
- Cable holder with 1 screw
- 2 plastic RJ45 protective caps for LAN & Console ports
- 1 plastic M12-female protective cap (AWK-5232-M12 only)
- DIN-rail kit
- Documentation and software CD
- Quick installation guide (printed)
- Warranty card

Note:  
 US: USA band  
 EU: Europe band  
 JP: Japan band